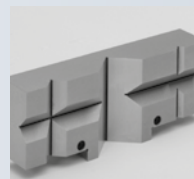


Modular parallels and soft jaws quick change



**Set of parallels
(quick change)**

Page 4.3



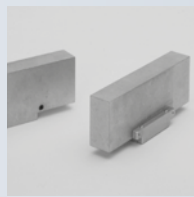
**V jaw
(quick change)**

Page 4.5



**Parallels
(quick change)**

Page 4.4



**Soft jaws
(quick change)**

- Steel
- Aluminium

Page 4.6



**Angular parallels
(quick change)**

Page 4.5

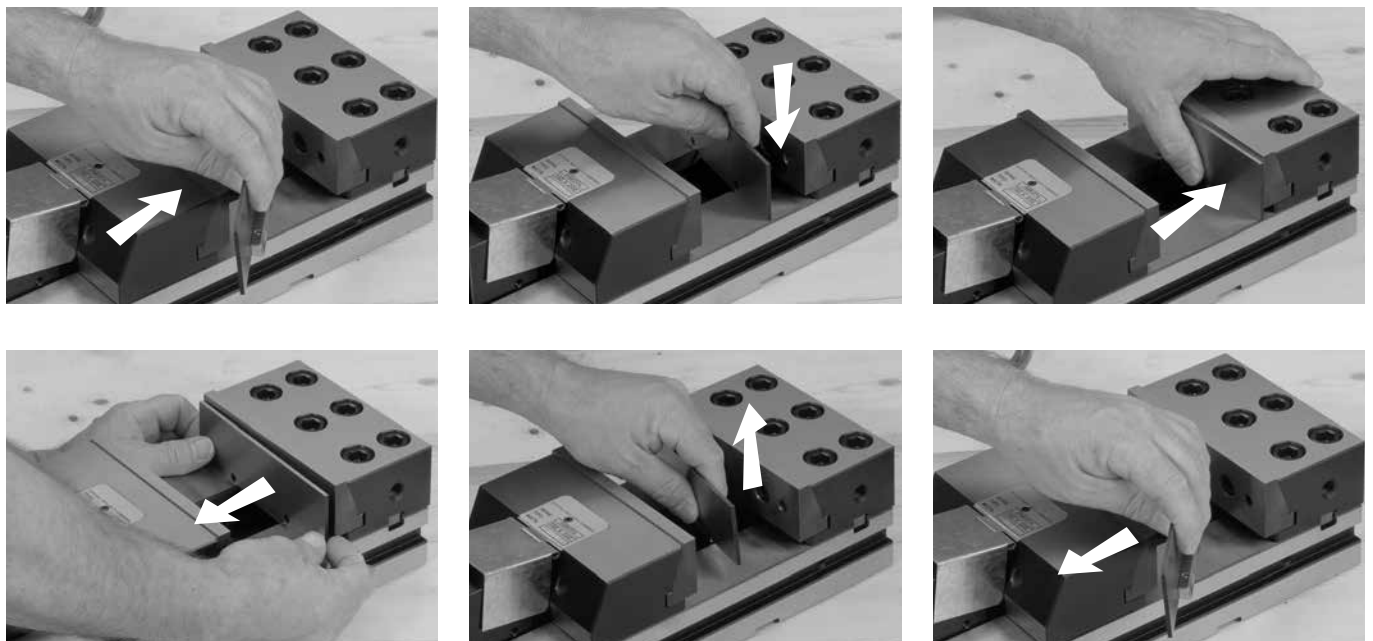
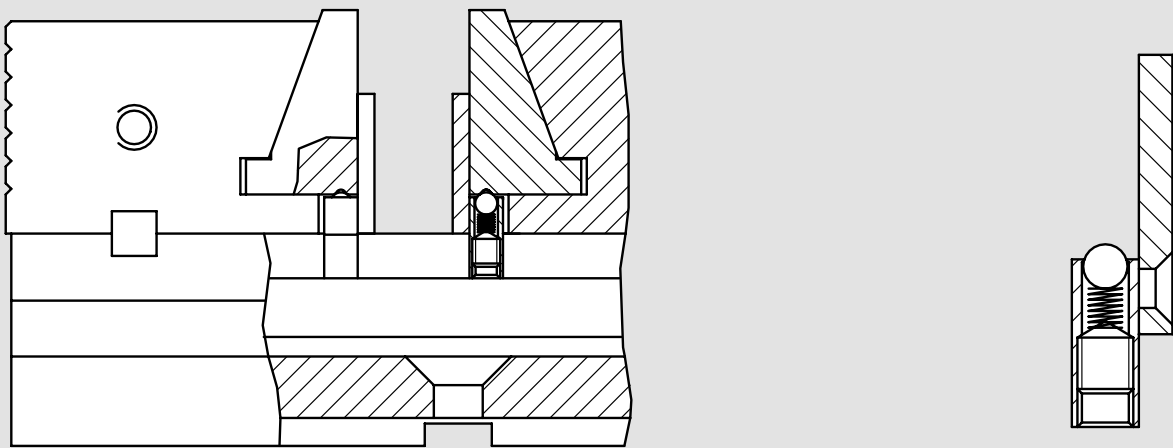
This new patented system allows the quick change of parallels, angular parallels, V-jaws, soft jaws for any type of workpieces.

Benefits:

- Reduce downtime and set-up time
- Elimination of clamps and locks thanks to the patented self locking system
- Increase the accuracy of finished parts and reduce scrap

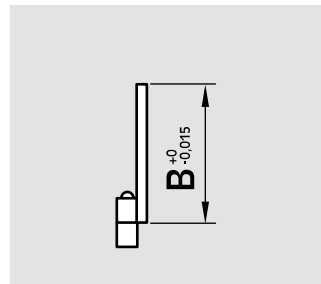
All components are case hardened and precision ground.

The CLAK system can be used for either the TC range or the MC range.

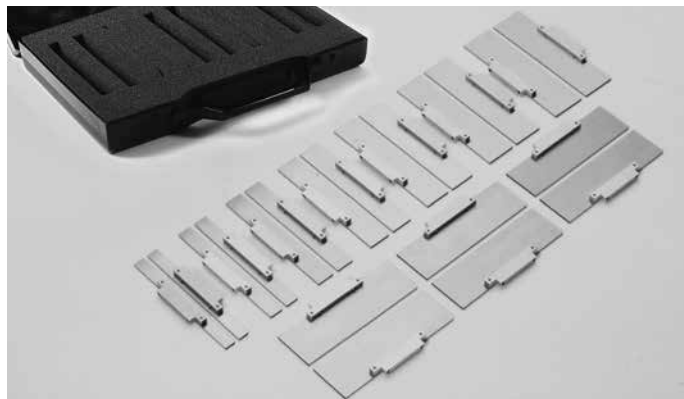




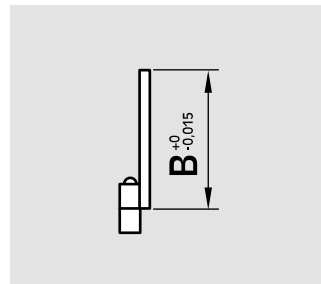
Set of 6 pairs of parallels



Id. No.	for type	B mm					
		10	15	20	25	30	35
58 01 92 06	TC 110 x .../MC 125 x ...	10	15	20	25	30	35
58 02 92 06	TC 150 x .../MC 150 x ...	20	25	30	35	40	45
58 03 92 06	TC 200 x .../MC 200 x ...	20	30	40	50	60	65



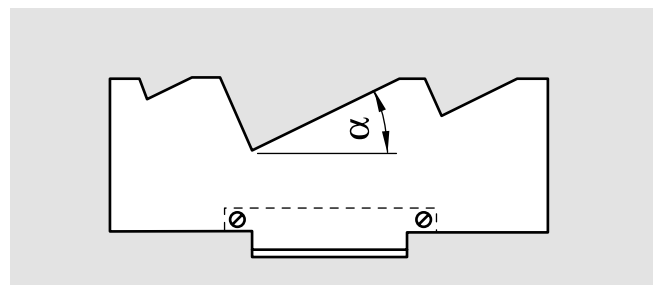
Set of 10 pairs of parallels



Id. No.	for type	B mm									
		10	12	15	20	25	28	30	33	35	37
58 01 92 10	TC 110 x .../MC 125 x ...	10	12	15	20	25	28	30	33	35	37
58 02 92 10	TC 150 x .../MC 150 x ...	12	15	20	25	30	35	40	43	45	47
58 03 92 10	TC 200 x .../MC 200 x ...	20	25	30	35	40	45	50	55	60	65



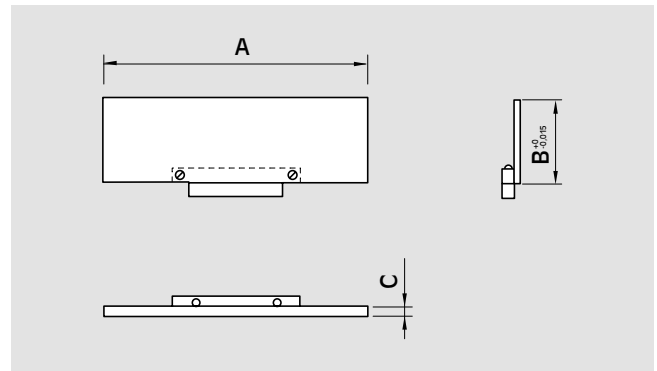
Set of 6 pairs of angular parallels



Id. No.	for type	α mm					
		20°	25°	30°	35°	40°	45°
58 01 93 06	TC 110 x .../MC 125 x ...	20°	25°	30°	35°	40°	45°
58 02 93 06	TC 150 x .../MC 150 x ...	20°	25°	30°	35°	40°	45°
58 03 93 06	TC 200 x .../MC 200 x ...	20°	25°	30°	35°	40°	45°



Pair of parallels



Id. No.	B mm	A mm	C mm
58 01 35 10	10	106	3
58 01 35 12	12		
58 01 35 15	15		
58 01 35 20	20		
58 01 35 25	25		
58 01 35 28	28		
58 01 35 30	30		
58 01 35 33	33		
58 01 35 35	35		
58 01 35 37	37		

for type

TC 110 x .../MC 125 x ...

Id. No.	B mm	A mm	C mm
58 02 35 12	12	146	3
58 02 35 15	15		
58 02 35 20	20		
58 02 35 25	25		
58 02 35 30	30		
58 02 35 35	35		
58 02 35 40	40		
58 02 35 43	43		
58 02 35 45	45		
58 02 35 47	47		

for type

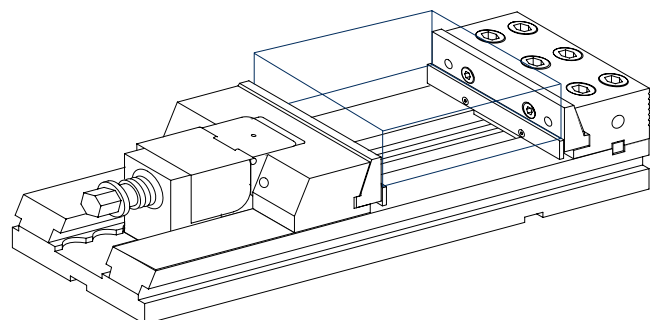
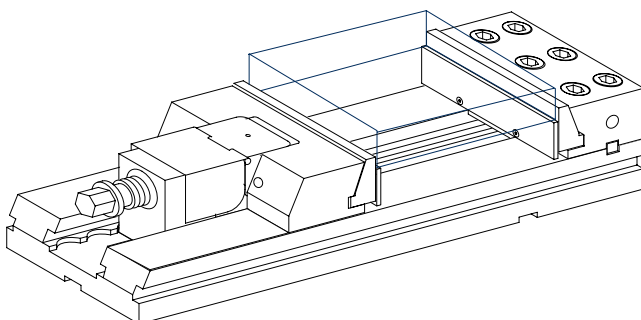
TC 150 x .../MC 150 x ...

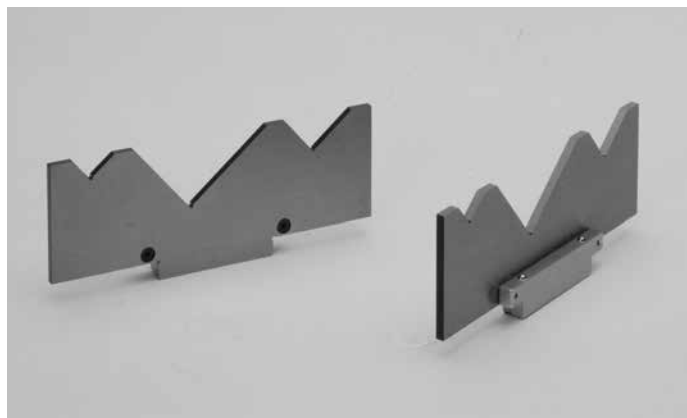
Id. No.	B mm	A mm	C mm
58 03 35 20	20	196	4
58 03 35 25	25		
58 03 35 30	30		
58 03 35 35	35		
58 03 35 40	40		
58 03 35 45	45		
58 03 35 50	50		
58 03 35 55	55		
58 03 35 60	60		
58 03 35 65	65		

for type

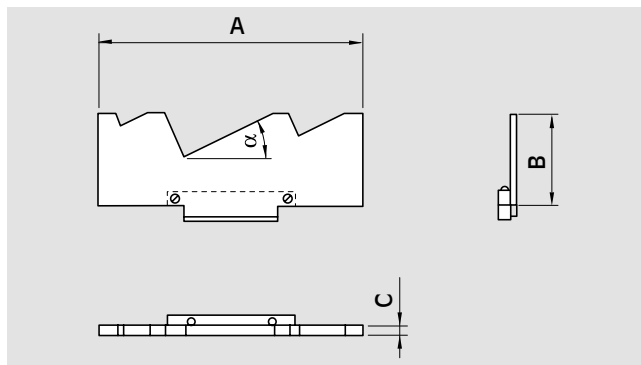
TC 200 x .../MC 200 x ...

Working examples





Pair of angular parallels



Id. No.	α mm	A mm	B mm	C mm
58 01 36 20	20	106	40	4
58 01 36 25	25			
58 01 36 30	30			
58 01 36 35	35			
58 01 36 40	40			
58 01 36 45	45			
58 02 36 20	20	146	50	4
58 02 36 25	25			
58 02 36 30	30			
58 02 36 35	35			
58 02 36 40	40			
58 02 36 45	45			

for type

TC 110 x .../MC 125 x ...

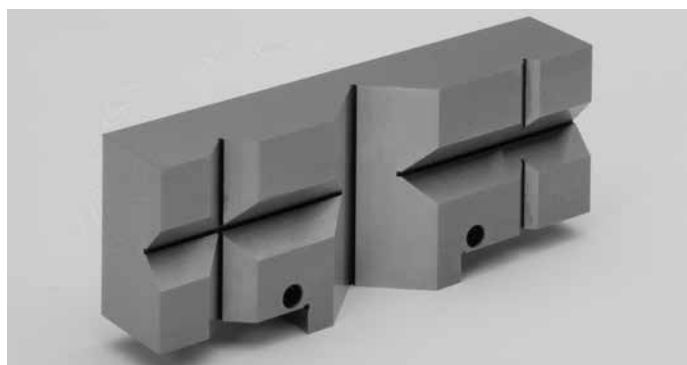
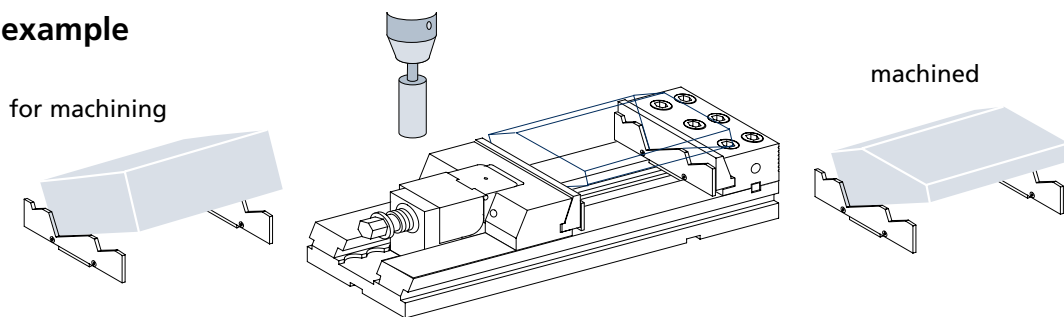
TC 150 x .../MC 150 x ...

Id. No.	α mm	A mm	B mm	C mm
58 03 36 20	20	196	70	4
58 03 36 25	25			
58 03 36 30	30			
58 03 36 35	35			
58 03 36 40	40			
58 03 36 45	45			

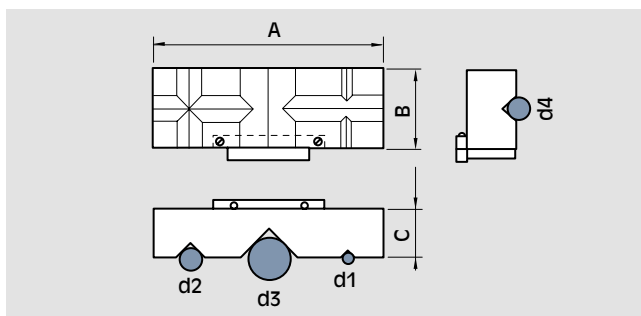
for type

TC 200 x .../MC 200 x ...

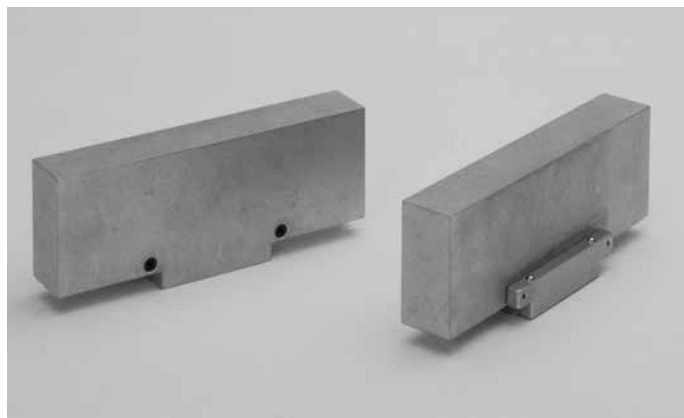
Working example



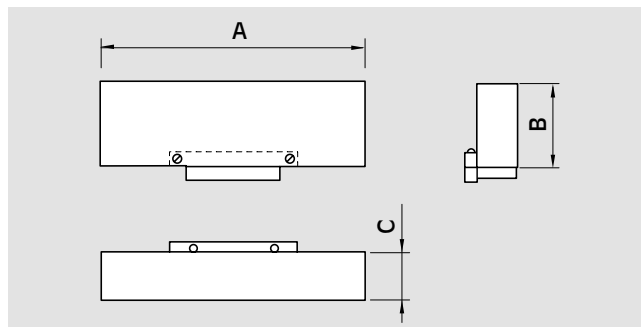
V jaws



Id. No.	for type	A mm	B mm	C mm	D1		D2		D3		D4	
					MIN-mm	MAX-mm	MIN-mm	MAX-mm	MIN-mm	MAX-mm	MIN-mm	MAX-mm
58 01 94 09	TC 110 x .../MC 125 x ...	106	40	30	3	6,5	6,5	15	15	35	7	16
58 02 94 09	TC 150 x .../MC 150 x ...	146	50	30	3	6,5	6,5	15	15	35	7	16
58 03 94 09	TC 200 x .../MC 200 x ...	196	70	50	6	13	13	30	30	70	15	35



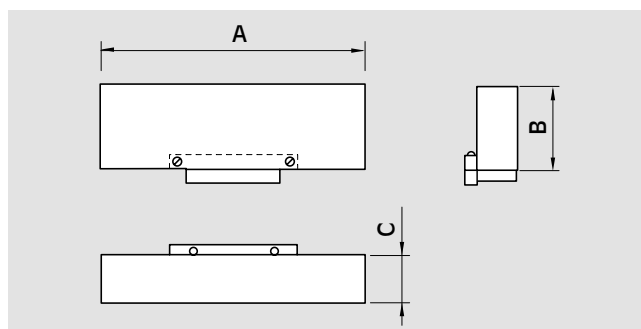
Pair of aluminium jaws



Id. No.	for type	A mm	B mm	C mm
58 01 95 09	TC 110 /MC 125	106	40	19
58 02 95 09	TC 150 /MC 150	146	50	24
58 03 95 09	TC 200/MC 200	196	70	34



Pair of steel soft jaws



Id. No.	for type	A mm	B mm	C mm
58 01 96 09	TC 110/MC 125	106	40	19
58 02 96 09	TC 150 /MC 150	146	50	24
58 03 96 09	TC 200/MC 200	196	70	34

Working example

