

CIVI SinterGrip

6.1

Multiple clamping system



CIVI-S 60 CIVI-S 90

Jaw

- Self-centering
- Double Clamping
- Fixed

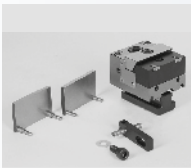
Page 6.1.2



CIVI SINTERGRIP

- Parallels

Page 6.1.5



CIVI SINTERGRIP

- Movable jaw set
- Fixed jaw set

Page 6.1.3



Accessories

Page 6.1.6



CIVI-S 60 CIVI-S 90

Multiple clamping system

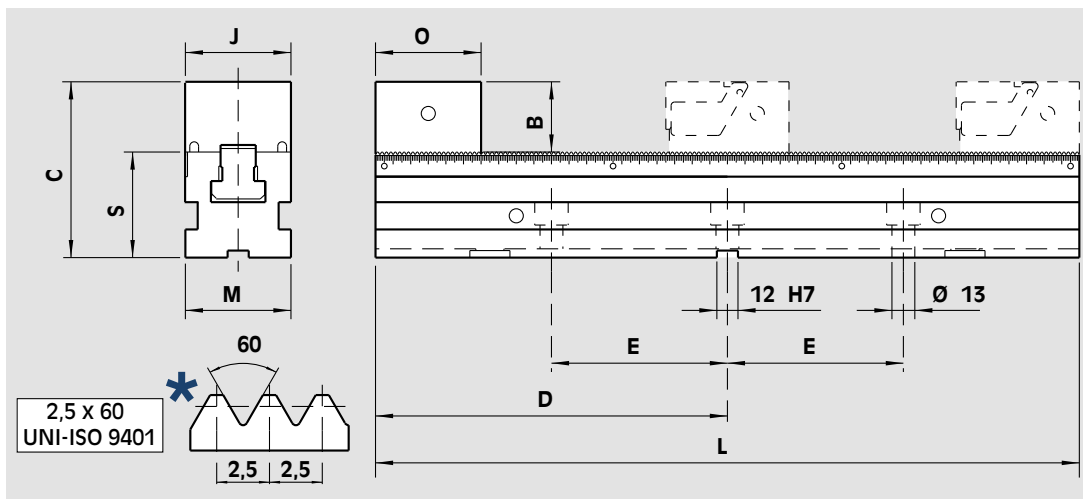
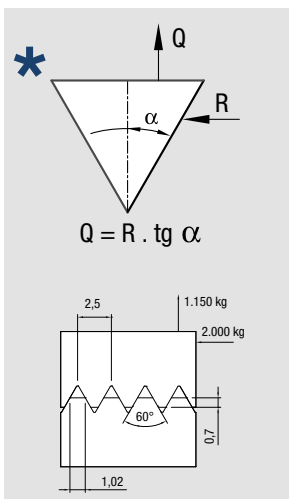


CIVI-S is a new interesting modular Multi-Clamping system that reduces downtime and maximizes machine tool productivity

Complete base set with:

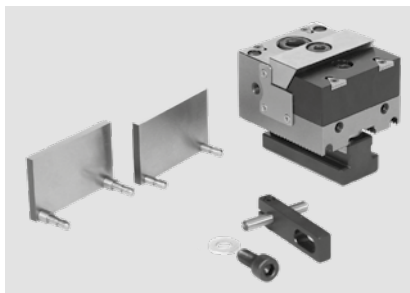
1 base (length optional), 1 fixed support, n. 2 (CIVI-S 60) or n. 3 (CIVI-S 90) SinterGrip inserts STD for steel*, 1 pair of positioning keys, 1 t-wrench

* On request inserts for ALU or HRC

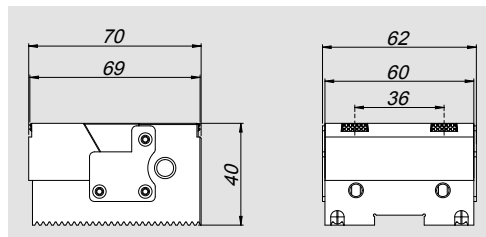


For type	Id. No.	B mm	C mm	D mm	E mm	J mm	L mm	M mm	O mm	S ±0.01 mm	Weight kg
CV-S 60-250	77584664	40	100	125	100	60	250	60	60	60	6.5
CV-S 60-400	77584661			200	100		400				9.5
CV-S 60-500	77584662			250	150		500				11.5
CV-S 60-630	77584663			315	200		630				13.5
CV-S 90-250	77584694	45	115	125	100	90	250	90	70	70	11
CV-S 90-400	77584691			200	100		400				16
CV-S 90-500	77584692			250	150		500				19.5
CV-S 90-630	77584693			315	200		630				23.5

Movable jaw set J60



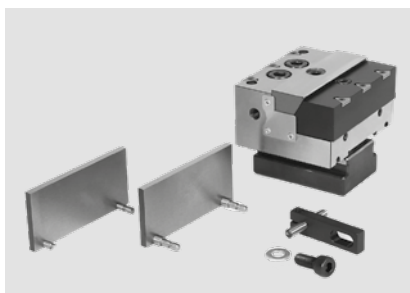
Complete with 1 work stop, n. 4 SinterGrip inserts STD for steel*, n. 1 pair of parallels H37.



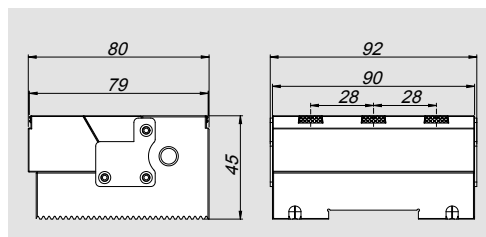
* On request for ALU or HRC

Id. No.	For type	Weight
77 58 46 60	CIVI-S / 60 x ...	Kg 1,4

Movable jaw set J90



Complete with 1 work stop, n. 6 SinterGrip inserts STD for steel*, n. 1 pair of parallels H42.



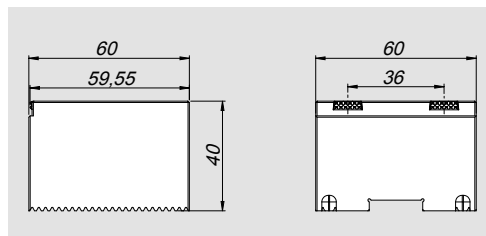
* On request for ALU or HRC

Id. No.	For type	Weight
77 58 46 90	CIVI-S / 90 x ...	Kg 2,9

Fixed jaw set J60



Complete with 1 work stop, n. 2 SinterGrip inserts STD for steel*.



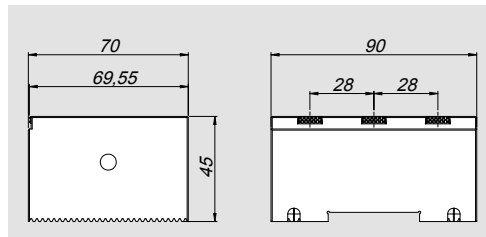
* On request for ALU or HRC

Id. No.	For type	Weight
58 46 72 60	CIVI-S / 60 x ...	Kg 1,4

Fixed jaw set J90



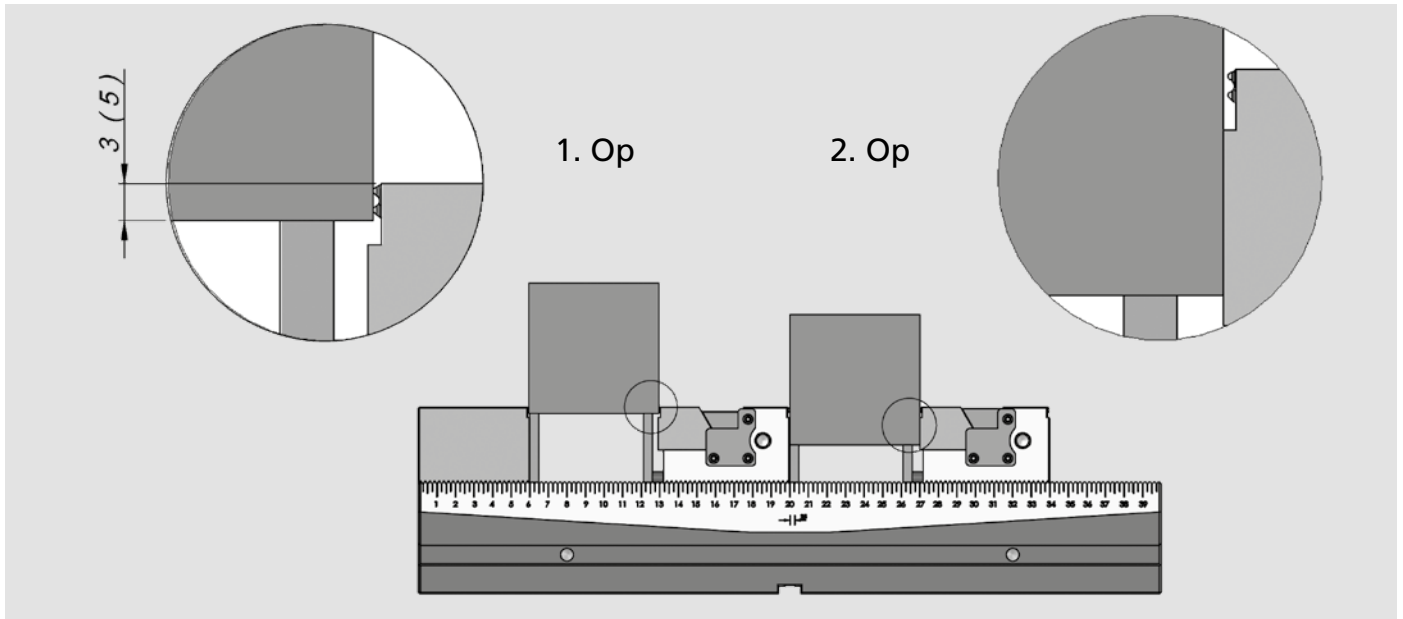
Complete with 1 work stop, n. 3 SinterGrip inserts STD for steel*.



* On request for ALU or HRC

Id. No.	For type	Weight
58 46 72 90	CIVI-S / 90 x ...	Kg 2,9

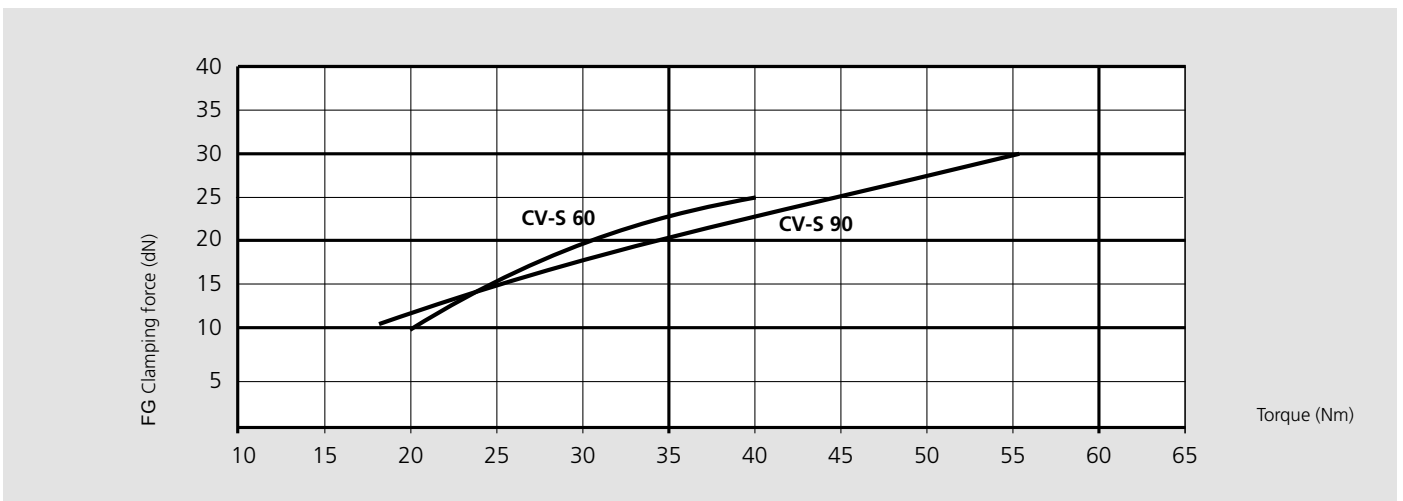
Working example



Clamping capacity

	A max. mm			
CV-S 60-250	120	25	-	-
CV-S 60-400	270	100	43	15
CV-S 60-500	370	150	76	40
CV-S 60-630	500	215	120	73
CV-S 90-250	99	-	-	-
CV-S 90-400	249	84	29	-
CV-S 90-500	349	134	62	26
CV-S 90-630	479	199	106	59

Clamping forces diagram



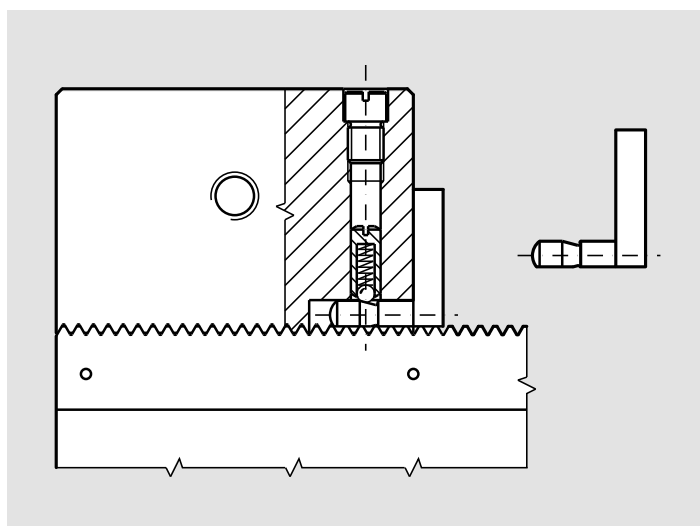
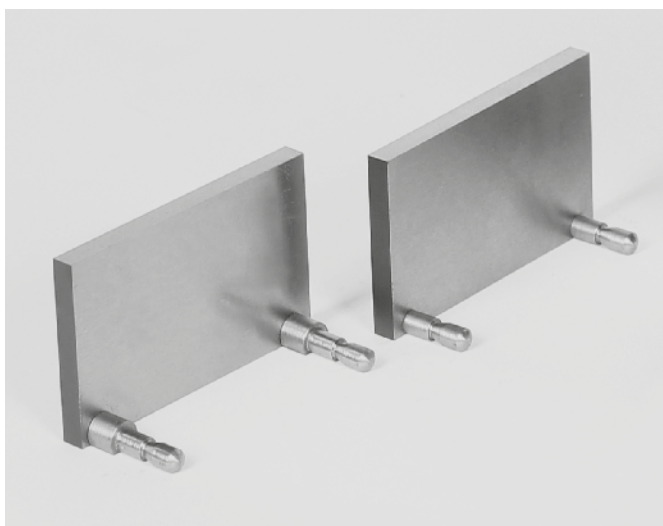
Parallels for CIVI-S

The exclusive and proven CLAK SYSTEM, for the quick replacement of parallels and jaws has been applied for use with the CIVI 2000 equipment with a new patent.

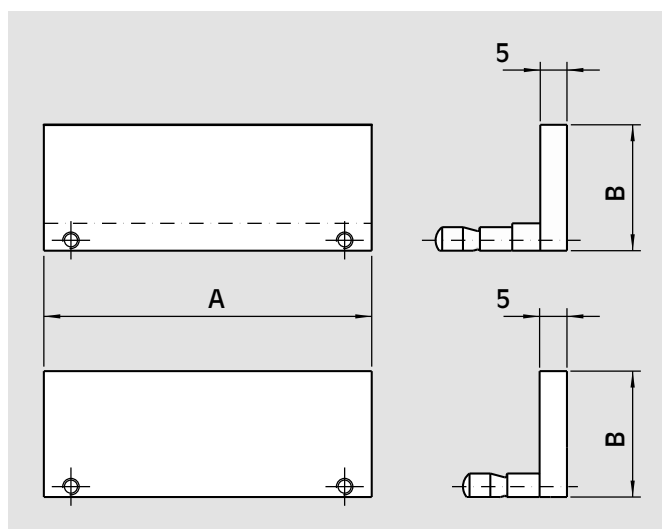
This equipment offers:

- a) The quick replacement of parallels and jaws
- b) The elimination of clamps and locks thanks to the patented selflocking system
- c) The increase in accuracy

All components are heat treated and precision ground.



Set of 4 pair of parallels CLAK SYSTEM

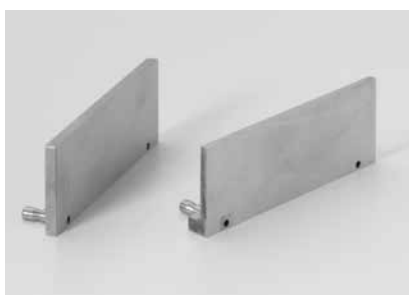


Id. No	For type	A		B			Weight Kg
		mm	mm	mm	mm	mm	
58 46 92 64	CIVI-S / 60 x ...	60	18	23	28	35	0,49
58 46 92 94	CIVI-S / 90 x ...	90	18	23	33	40	0,77



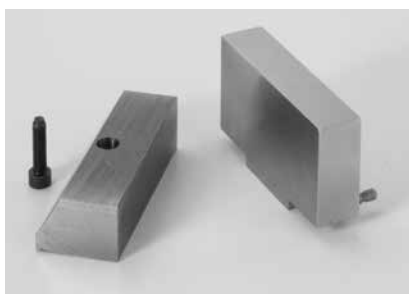
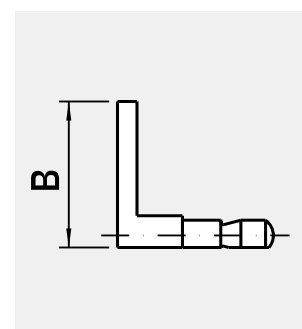
Sintergrip jaws

Id. No.	For type
58 46 04 69	CIVI-S / 60 x ...
58 46 04 99	CIVI-S / 90 x ...



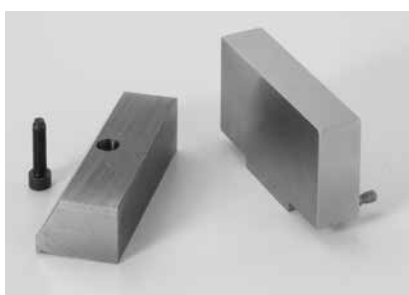
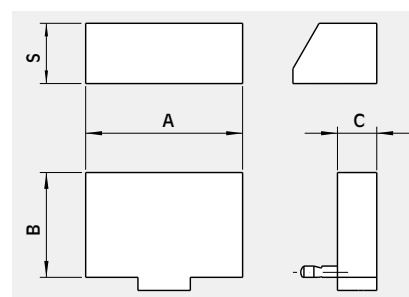
Pair of parallels CLAK SYSTEM

Id. No.	For type	B
		mm
58 41 35 18	CIVI-S / 60 x ...	18
58 41 35 23	CIVI-S / 60 x ...	23
58 41 35 28	CIVI-S / 60 x ...	28
58 41 35 35	CIVI-S / 60 x ...	35
58 42 35 18	CIVI-S / 90 x ...	18
58 42 35 23	CIVI-S / 90 x ...	23
58 42 35 33	CIVI-S / 90 x ...	33
58 42 35 40	CIVI-S / 90 x ...	40



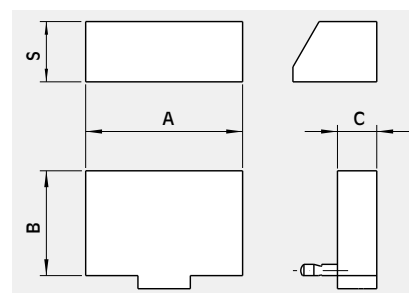
Pair of soft aluminium jaws CLAK SYSTEM

Id. No.	For type	A	B	C	S	Weight
		mm	mm	mm	mm	Kg
58 41 95 49	CIVI-S / 60 x ...	60	40	15	23	0,19
58 42 95 49	CIVI-S / 90 x ...	90	45	20	25	0,40



Pair of soft steel jaws CLAK SYSTEM

Id. No.	For type	A	B	C	S	Weight
		mm	mm	mm	mm	Kg
58 41 96 49	CIVI-S / 60 x ...	60	40	15	23	0,58
58 42 96 49	CIVI-S / 90 x ...	90	45	20	25	1,20



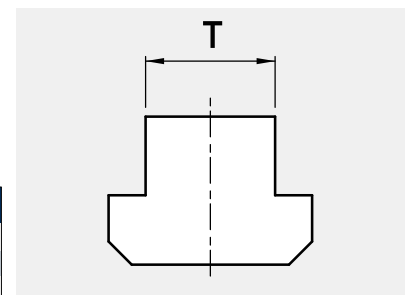


Work stop

Id. No.	Fot type	
58 31 50 10	CIVI-S / 60 x ...	for fixed support
58 32 50 10	CIVI-S / 90 x ...	for fixed support
58 31 50 20	CIVI-S / 60/90 x ...	for movable support



Pair of clamps complete with screw and T-nuts

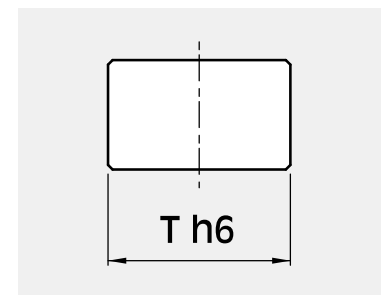


For type	Id. No.					
	mm 12	mm 14	mm 16	mm 18	mm 20	mm 22
CIVI-S / 60 x ...	58 01 27 92	58 01 27 93	58 01 27 94	58 01 27 95	58 01 27 96	58 01 27 97
CIVI-S / 90 x ...	58 02 27 92	58 02 27 93	58 02 27 94	58 02 27 95	58 02 27 96	58 02 27 97



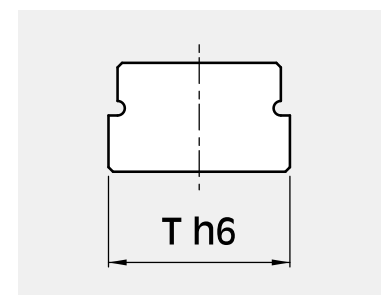
Pair of standard positioning keys

Id. No.	For type	T h6 mm
58 01 15 92	CIVI-S / 60 x ...	12
58 01 15 92	CIVI-S / 90 x ...	12



Pair of special positioning keys

For type	Id. No.					
	mm 12 - h6	mm 14 - h6	mm 16 - h6	mm 18 - h6	mm 20 - h6	mm 22 - h6
CIVI-S / 60 x ...	-	58 01 15 93	58 01 15 94	58 01 15 95	58 01 15 96	58 01 15 97
CIVI-S / 90 x ...	-	58 01 15 93	58 01 15 94	58 01 15 95	58 01 15 96	58 01 15 97



SINTERGRIP

	Id. No.	Description
	58 45 01 19	Set of 10 SinterGrip inserts STD for steel
	58 45 01 29	set of 10 SinterGrip inserts HRC for hardened steel / titanium until 50-54 HRC
	58 45 01 39	Set of 10 SinterGrip inserts for ALU
	58 45 02 19	Kit 10VTx30 for inserts SINTERGRIP
	58 45 05 19	Kit 10 protection inserts in aluminum



Find out more

